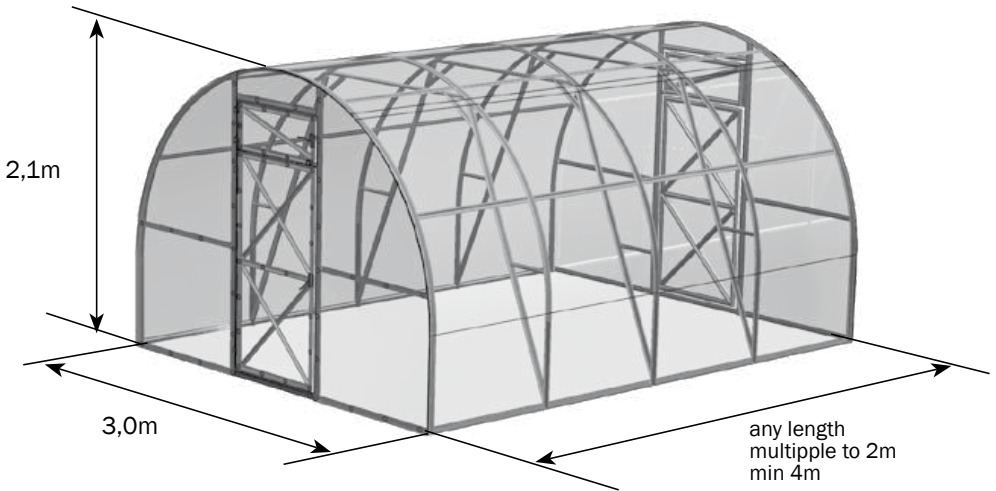


PRIME

(Poly 6mm)



! Perform assembling and operation of the greenhouse in strict accordance with the manual and operating rules stated in the technical certificate. Please keep this technical certificate for further reference.

Description

Greenhouse STRONG is designed for creation microclimate favorable for growing garden crops on cottage and household plots.

Greenhouse might have variable length depending on customers' desire. Required length of greenhouse is provided by purchasing of packages with extending inserts. Each insert add 2m to base length. Base length is 4m. Height of installed frame is 2.1 m

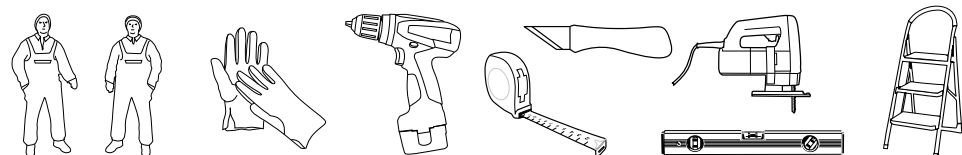
The frame of the greenhouse is made of galvanized iron and is to be assembled with screws and nuts. Greenhouse is fixed on the ground by digging special frame endings or on fundament using angles. Complete set includes all that is needed for fastening of coverage. Greenhouse may be completed with coverage on buyer's request. Greenhouse has two door openings and two small windows in opposite ends.

Greenhouse base requires 3 sheets of cellular polycarbonate 2.1*6m with 6mm thickness. For each Inserts - 1 sheet of cellular polycarbonate 2.1*6m

Operation rules

Before the start of operation, the greenhouse should be assembled and installed as prescribed in the manual. When the greenhouse is assembled by a third party the customer should supervise the quality of works to ensure compliance with the present manual. Some detail have extra holes due to uniformity of details. During assembly, be careful not to damage the parts, because until they assembled fully, they do not have sufficient rigidity. Use supports (e.g., chairs) at intermediate stages of assembly to evenly raise the assembled frame. To align the holes in difficult joints use a nail with a diameter of 4mm or mandrel with a conical end. During assembly of the frame details' connections should be Implemented for all specified openings. Simplified connection of the parts is a violation of assembly rules and cause of removal warranty support by manufacturer.

Do not install the greenhouse too close to buildings or trees where masses of snow/ice can fall on it. Recommended distance is at least 2 m. The greenhouse is designed to withstand wind at the speed below 24 m/sec. The greenhouse cladding should not be removed for the winter period if snow load is limited. If the greenhouse is left unattended for the entire winter the customer should either remove the cladding or estimate the possible snow load. For the frame assembled with all parts including strainers and braces, the maximal snow load begins when the layer of snow weight is 180 kg per 1 sqm of horizontal surface, which corresponds to regulative snow load of IV snow region (in accordance with Classification of Building rules and regulation 2/01/07-85 «Workload and impacts»). For the greenhouse which was installed according to the rules, manufacturer guarantee sufficient strength against snow load in the following areas: Northern areas in Russia, the Scandinavian countries: Finland, Sweden, Norway, Denmark.



Cleaning and washing sheets of polycarbonate.

1. Rinse the sheet with warm water.
2. Wash the sheet with a solution of mild soap or with a household detergent and warm water, using a soft rag or a sponge to remove dirt.
3. Rinse with cold water and wipe with a soft cloth.

Never use abrasives or highly alkaline cleaning compositions for cleaning polycarbonate sheets. Dry rubbing of the surface will damage the protective layer of the cladding and shorten its shelf life. Never rub the surface of polycarbonate sheets with brushes, metallic cloth or other abrasive materials.

When disinfecting the greenhouse from pathogens causing fungal and bacterial diseases, do not use «sulfur blocks» to avoid frame corrosion (blackening).

Warranty liabilities

1. The manufacturer is responsible for the completeness of the product.
2. The manufacturer is responsible for assemblability of the greenhouse in accordance with the instructions.
3. The manufacturer is responsible for the greenhouse durability in the specified weather conditions.
4. Term for making claims is 24 months from the day of purchase

Terms of warranty provisions









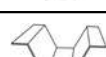
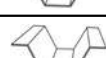






Warranty does not apply to cases of:

1. Greenhouse installation in violation of instruction requirements
2. Violation of the rules of operation.
3. Inappropriate use of the greenhouse.
4. Deformation of the greenhouse as a result of ground movement.
5. Floods, hurricanes and other natural disasters.

MADLUX















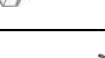
DETAILED PARTS LIST BASE

Box №1

4н	L=1,62 м		x6
4в	L=1,62 м		x3
4вк	L=1,62 м		x2
4нкп	L=1,62 м		x2
4нкл	L=1,62 м		x2
1	L=0,92 м		x10
2в	L=0,96 м		x12
9-1	L=0,981 м		x4
9-2л	L=1,4 м		x2
9-2п	L=1,4 м		x2
17	L=1,4м		x3
18	L=1,1 м		x6
19	L=0,99 м		x6
20	L=0,34 м		x6
21	L=0,35 м		x6
22	end amplifier		x4













DETAILED PARTS LIST BASE

Box №2

2	L=0,96 м		x24
3	L=0,14 м		x14
5	L=0,09 м		x4
8	L=1,04 м		x4
10	L=0,82 м		x4
11-л	L=1,02 м		x2
11-п	L=1,02 м		x2
12д	L=0,756 м		x8
12ф	L=0,320 м		x4
13д	L=0,713 м		x6
13ф	L=0,713 м		x4
14	L=0,958 м		x4
15	L=1,0 м		x4
16	L=0,737 м		x2
23	hook for doors and windows		x4











DETAILED PARTS LIST BASE




Box N°2

24	loops for doors and windows		x8
25	ttube bend spinner		x1
26	handle		x8
27	pin		x4
28	screw M4 x 8		x534
29	bracket		x8
22	bracket for the hook		x8
30	screw M4 x 10		x50
31	screw M4 x 25		x132
32	screw M4 x 35		x32
33	self-tapping screw		x6
34	Nut M4		x748

DETAILED PARTS LIST BASE
















Box N°2

35	Washer		x160
36	tape		x1
37	workpiece for locking (turner with 2 elastic nozzles)		x4
38	bolt M6 x 60		x10
39	nut M6		x10
40	Washer M6		x20
41	Double-sided tape L=10m		x2
42	top bandage		x5
43	bottom bandage		x10
44	profile L=1,05m		x4
45	profile L=1,0m		x4

46	seal loop		3,7 M
47	seal door		10 M
48	seal side wall		12 M







DETAILED PARTS LIST EXTENSION

BOX №1

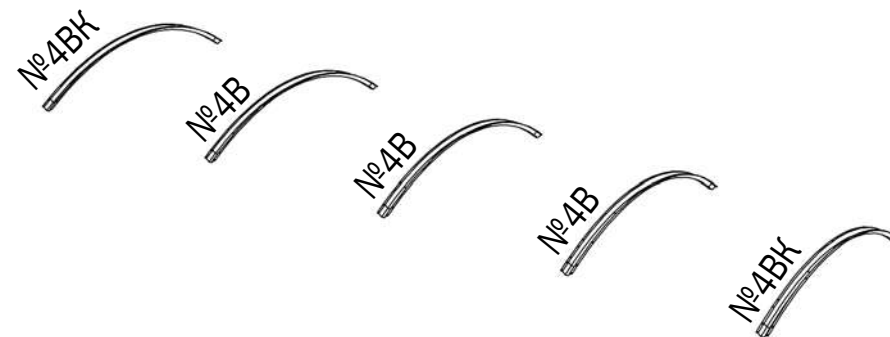
1	L=0,92 m		x4
2	L=0,96 m		x12
2B	L=0,96 m		x6
3	L=0,14 m		x4
4H	L=1,62 m		x4
4B	L=1,62 m		x2
17	L=1,4 m		x2
18	L=1,1 m		x4
19	L=0,99 m		x4
20	L=0,34 m		x4
21	L=0,35 m		x4
28	Screw M4 x 8		x184
31	Screw M4 x 25		x24
34	Nut M4		x208
35	Washer		x16

DETAILED PARTS LIST EXTENSION

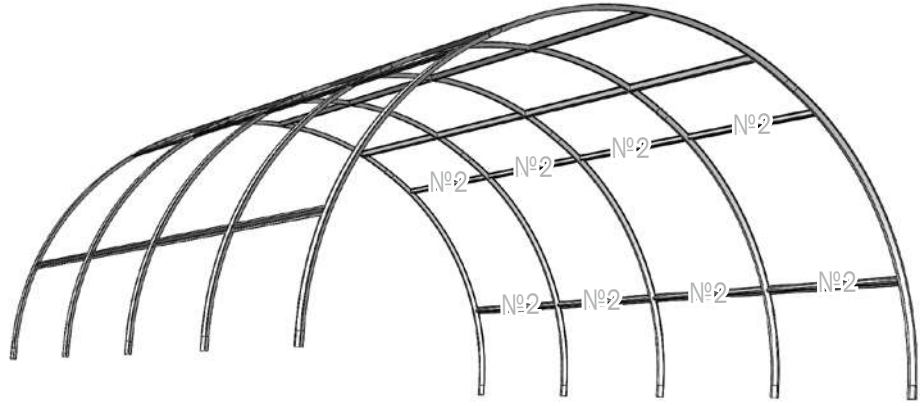
BOX №1

45	profile L=1,0m		x4
49	top bandage		x2
50	bottom bandage		x4
38	bolt M6 x 60		x4
39	Nut M6		x4
40	Washer M6		x8
41	Double-sided tape L=5m		x1

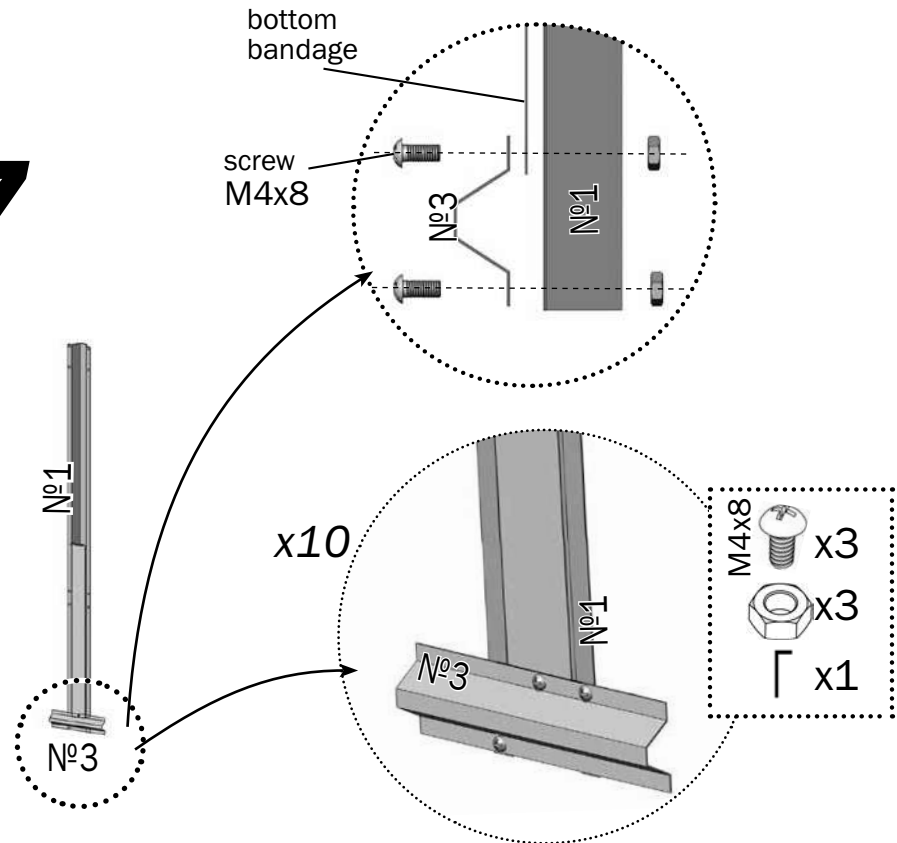
1



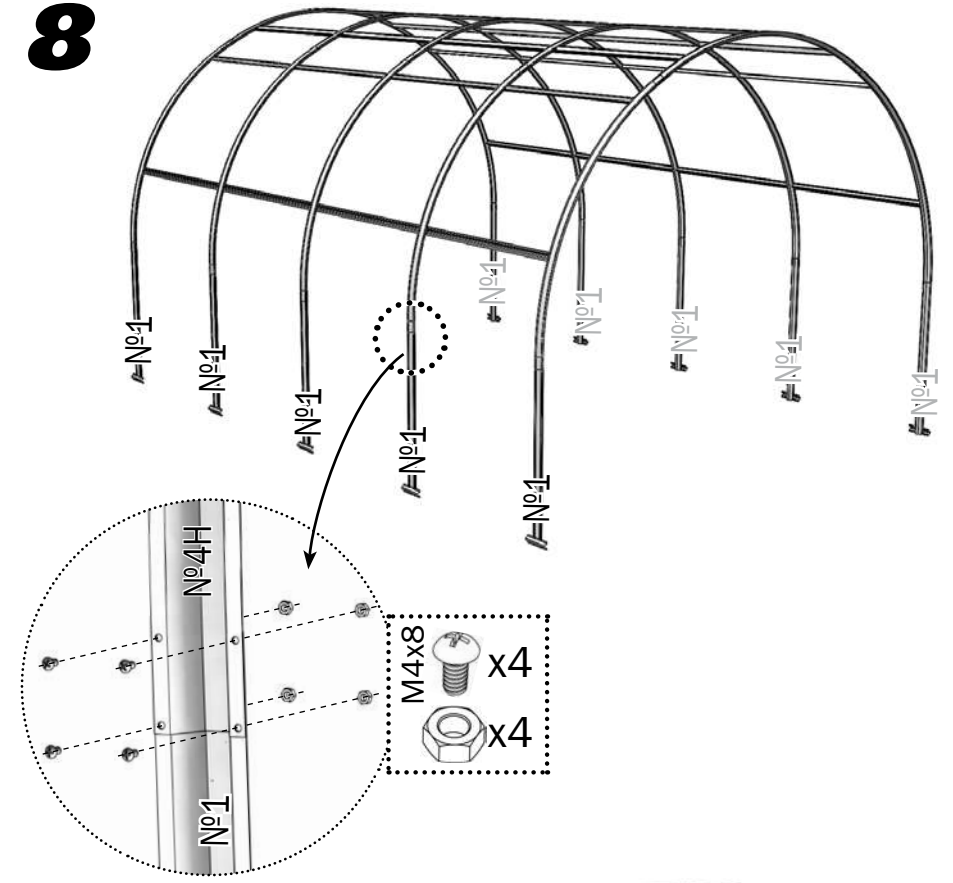
6



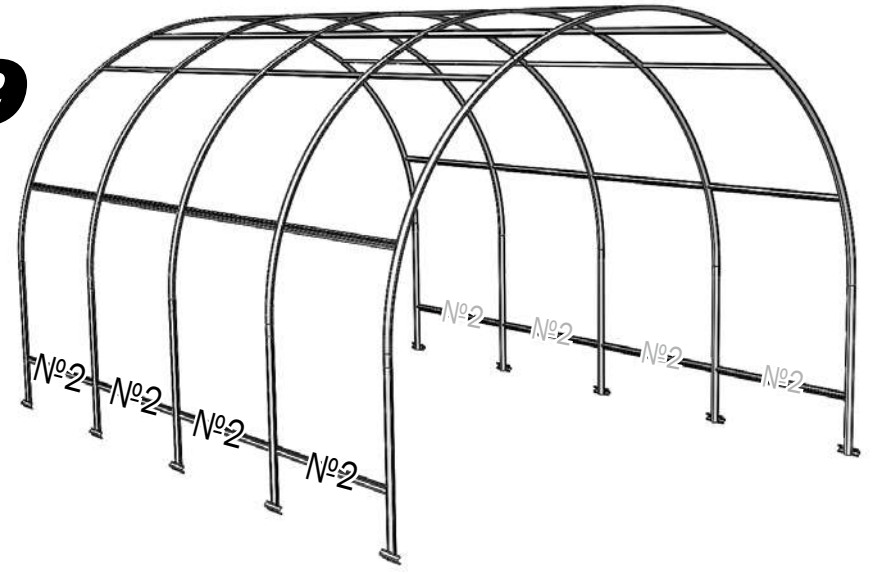
7



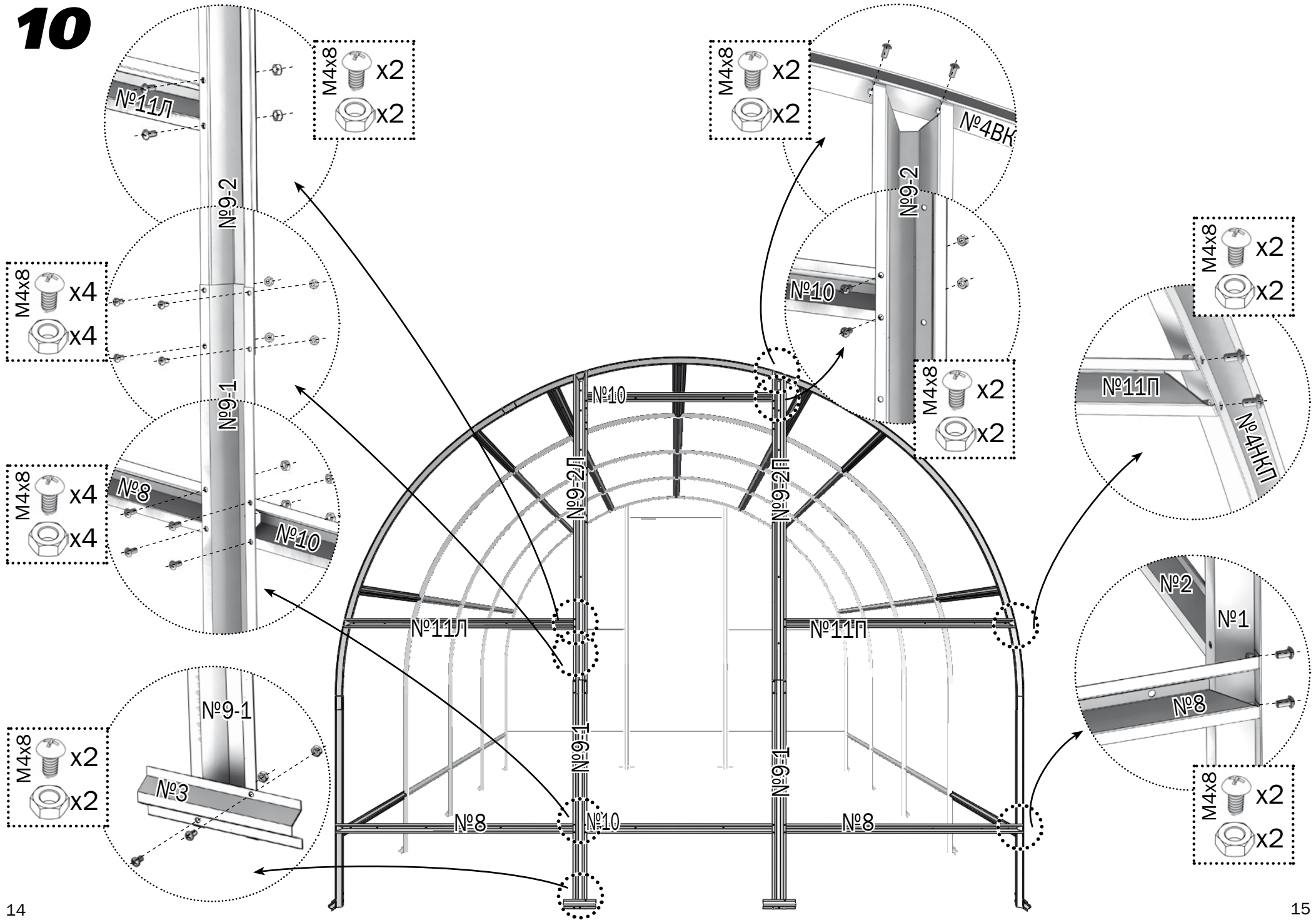
8

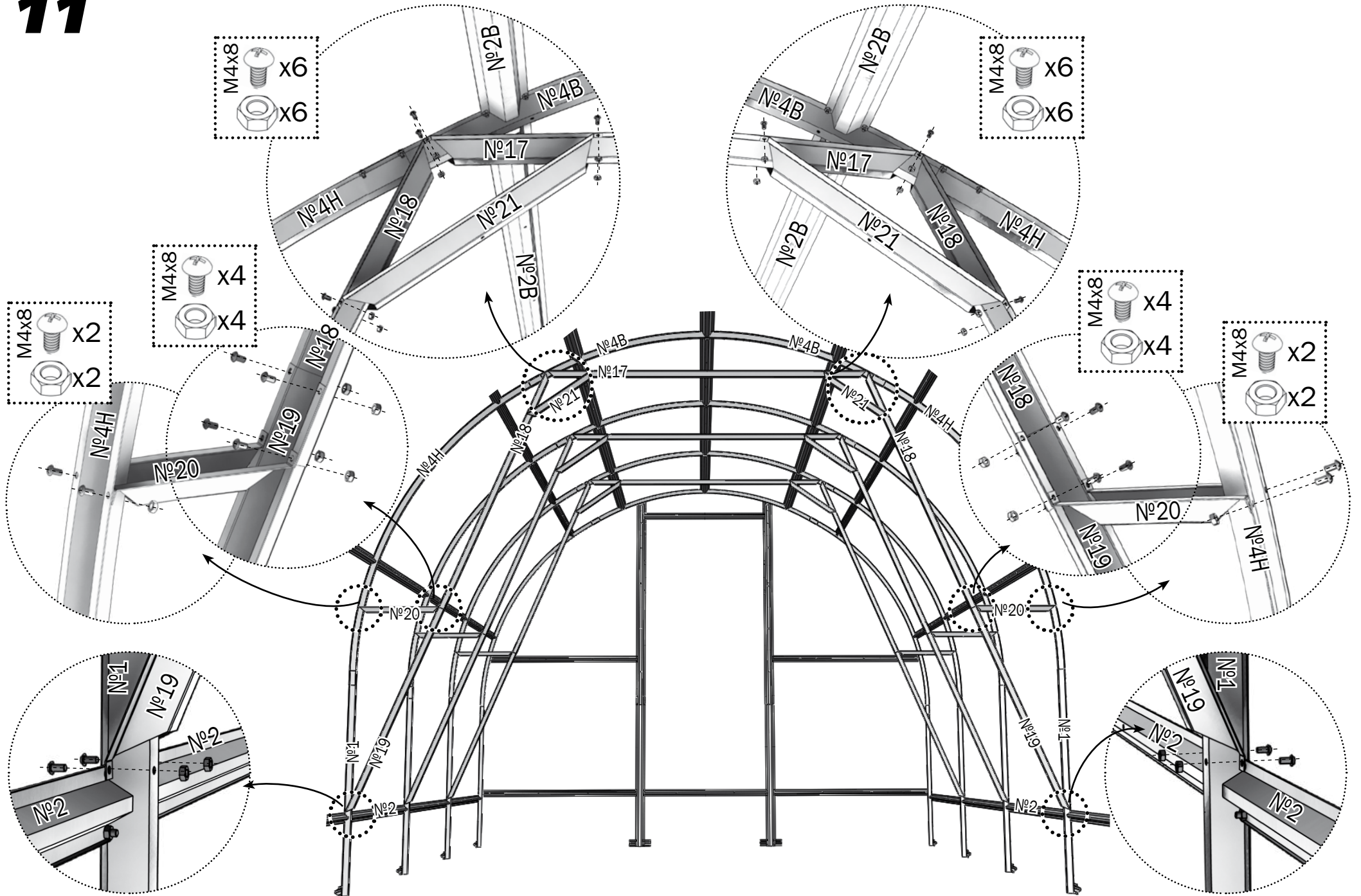


9

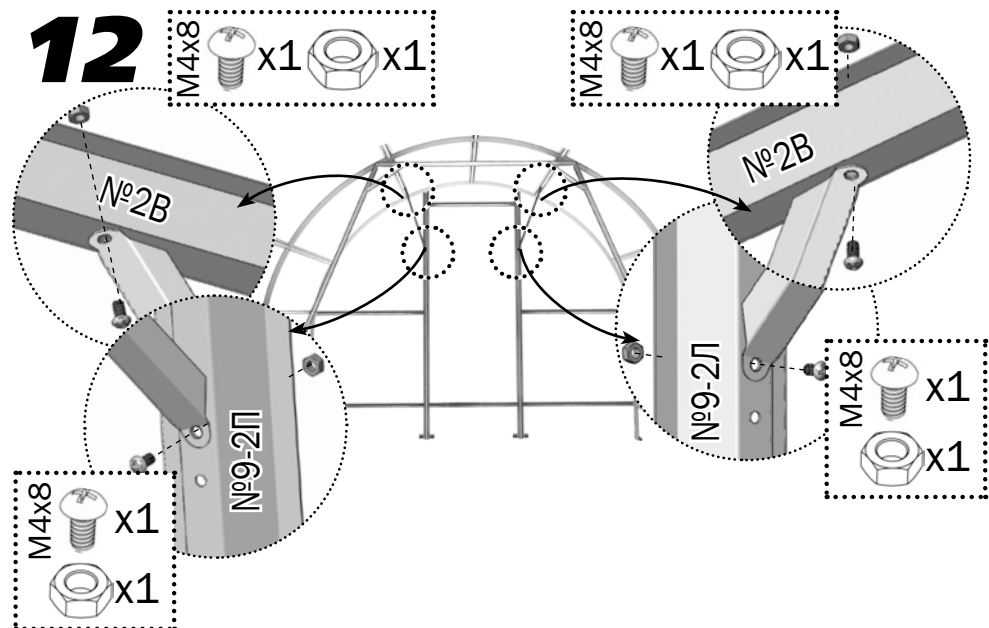


10

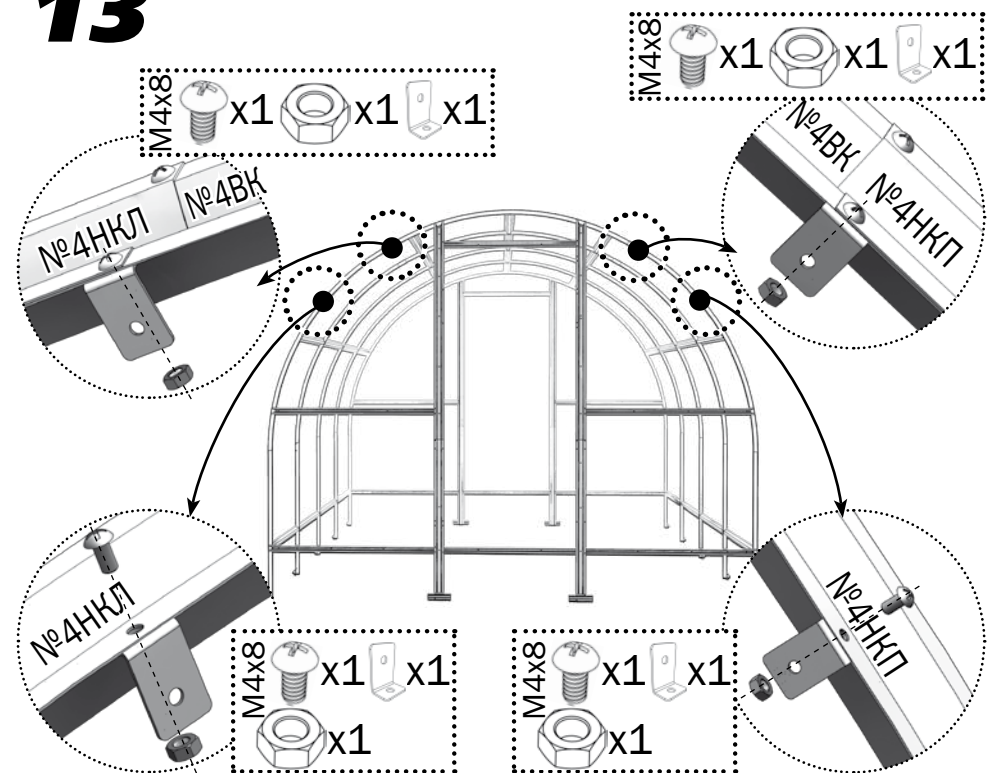




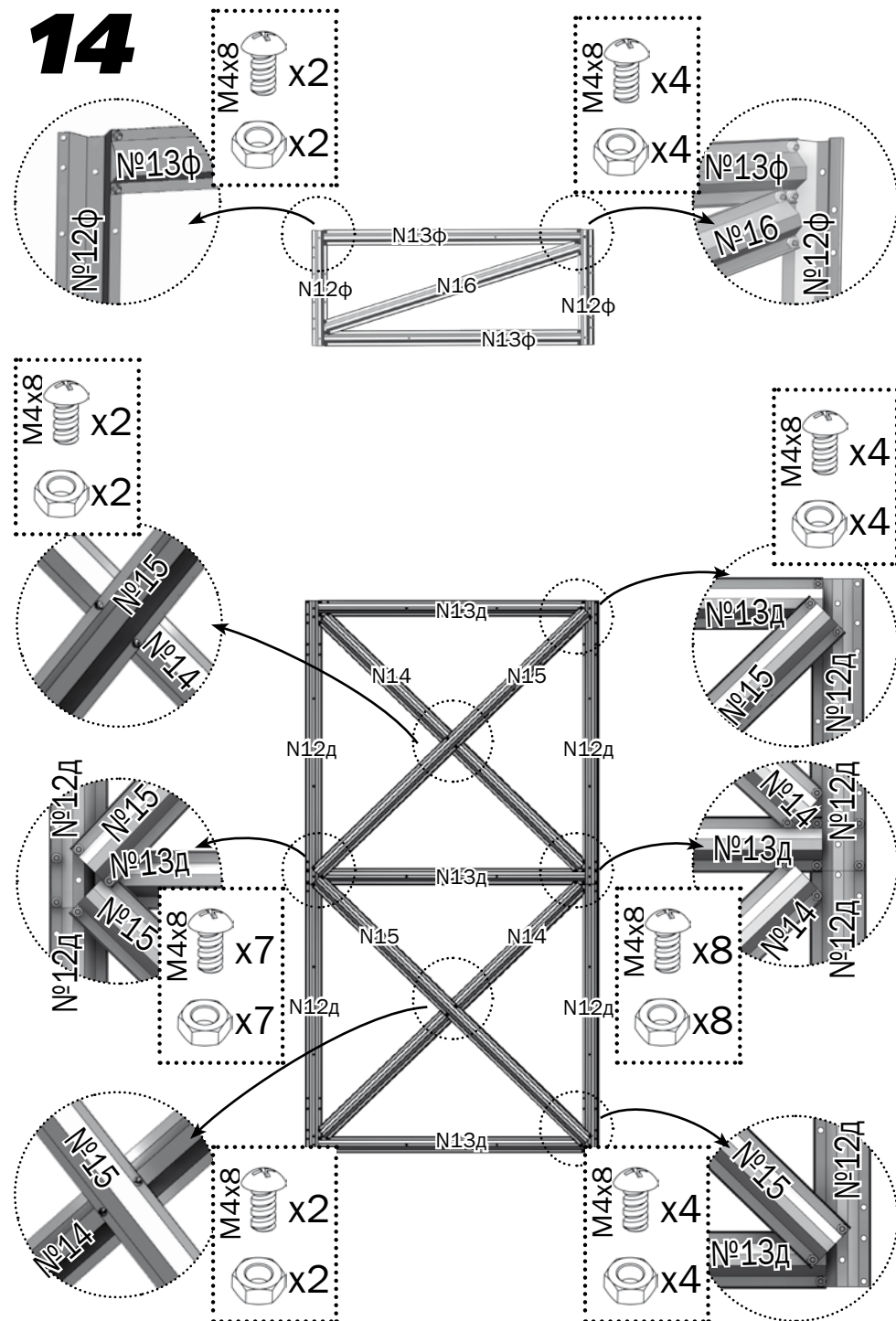
12



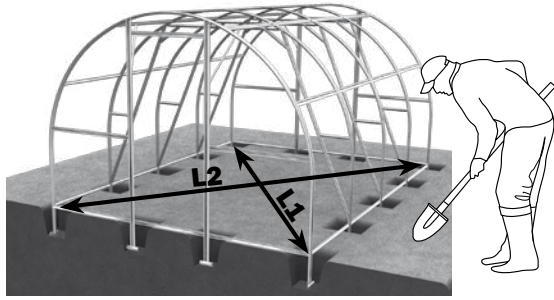
13



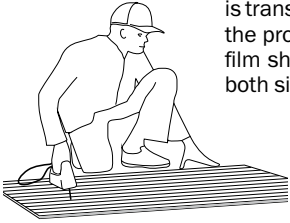
14



15

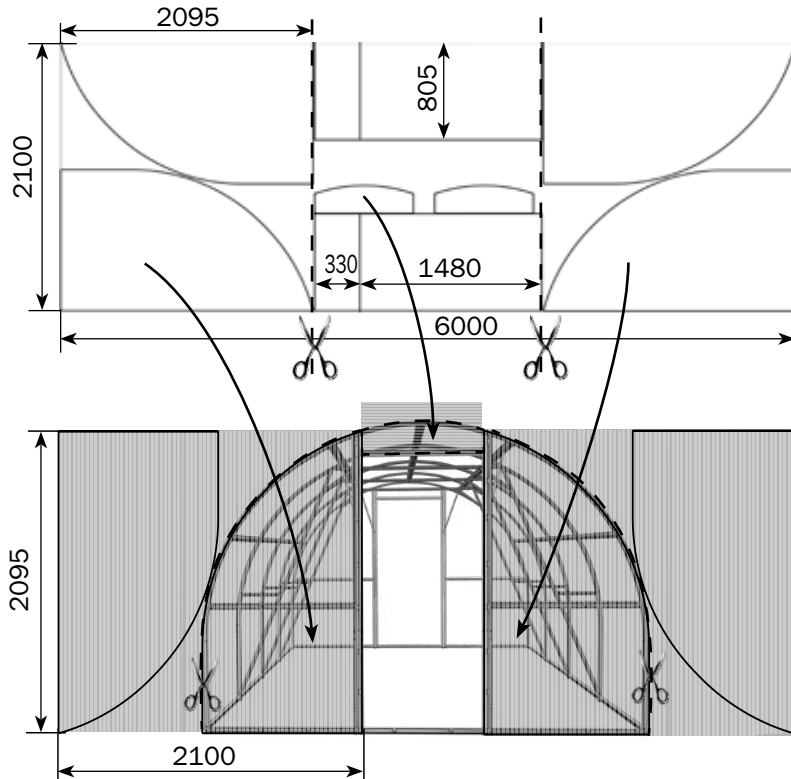
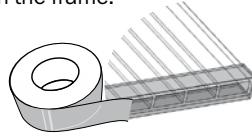


16

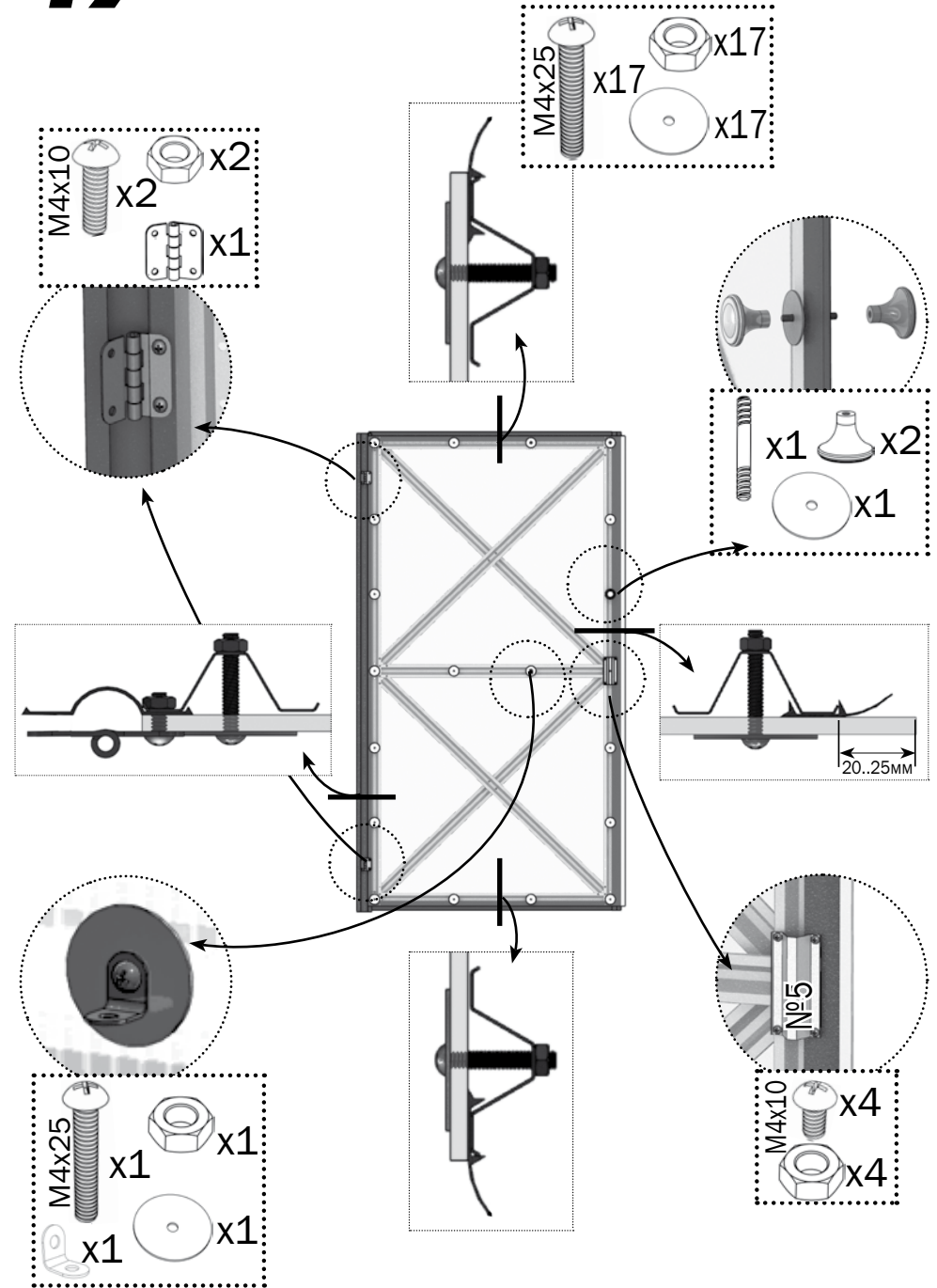


Cellular polycarbonate shall be installed strictly defined side out (towards the sun), which has a protective layer. The protective layer is usually at the side with the inscriptions on the transport film. The film on the other side of sheet is transparent. After marking the sheet, but prior to its cutting, make a mark on the protected side of the sheet for each piece: after removal of the transport film sheet sides are not visually different. The transport film is stripped from both sides immediately before fixing the cladding on the frame.

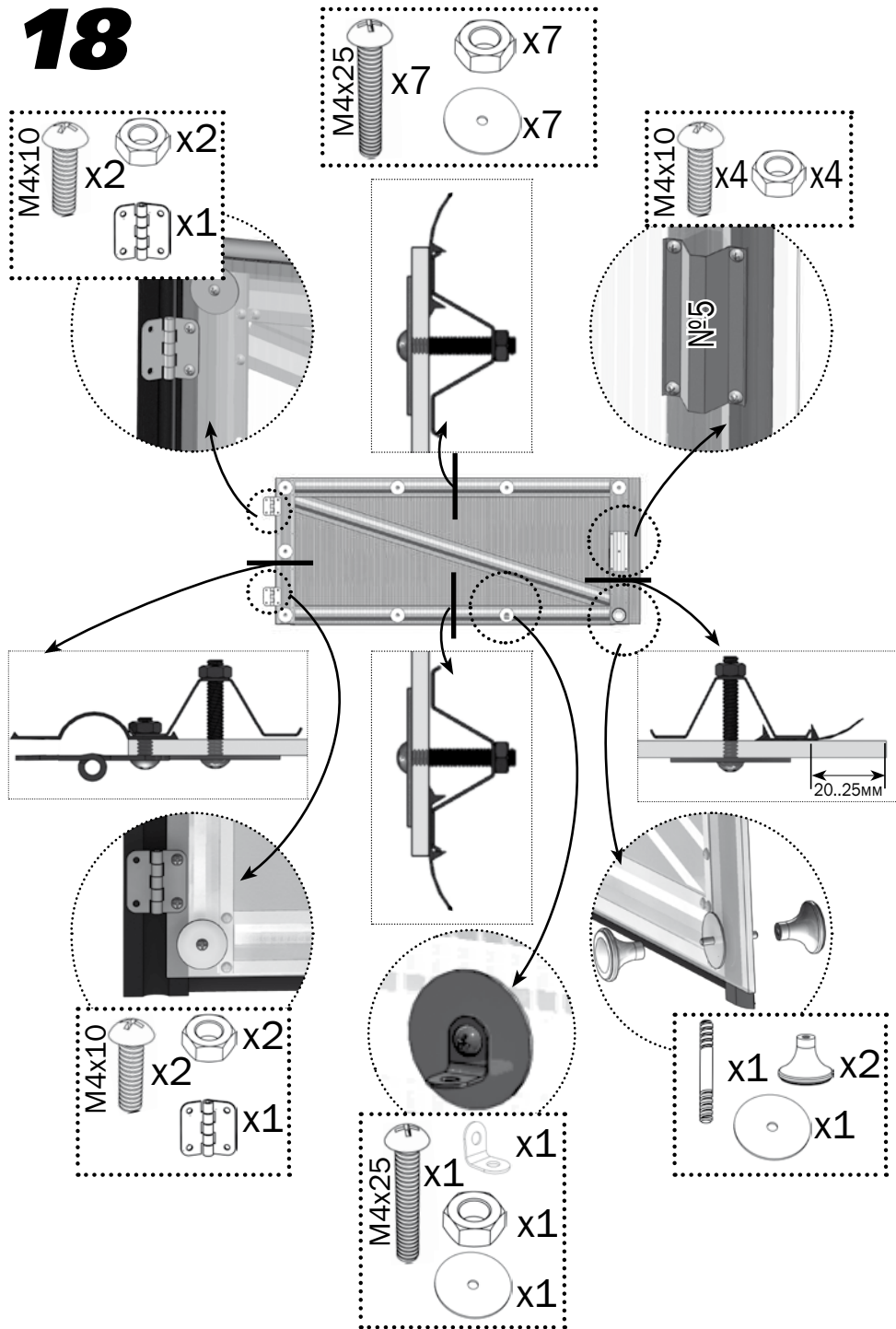
Sections of polycarbonate with open honeycombs should be covered by adhesive tape.



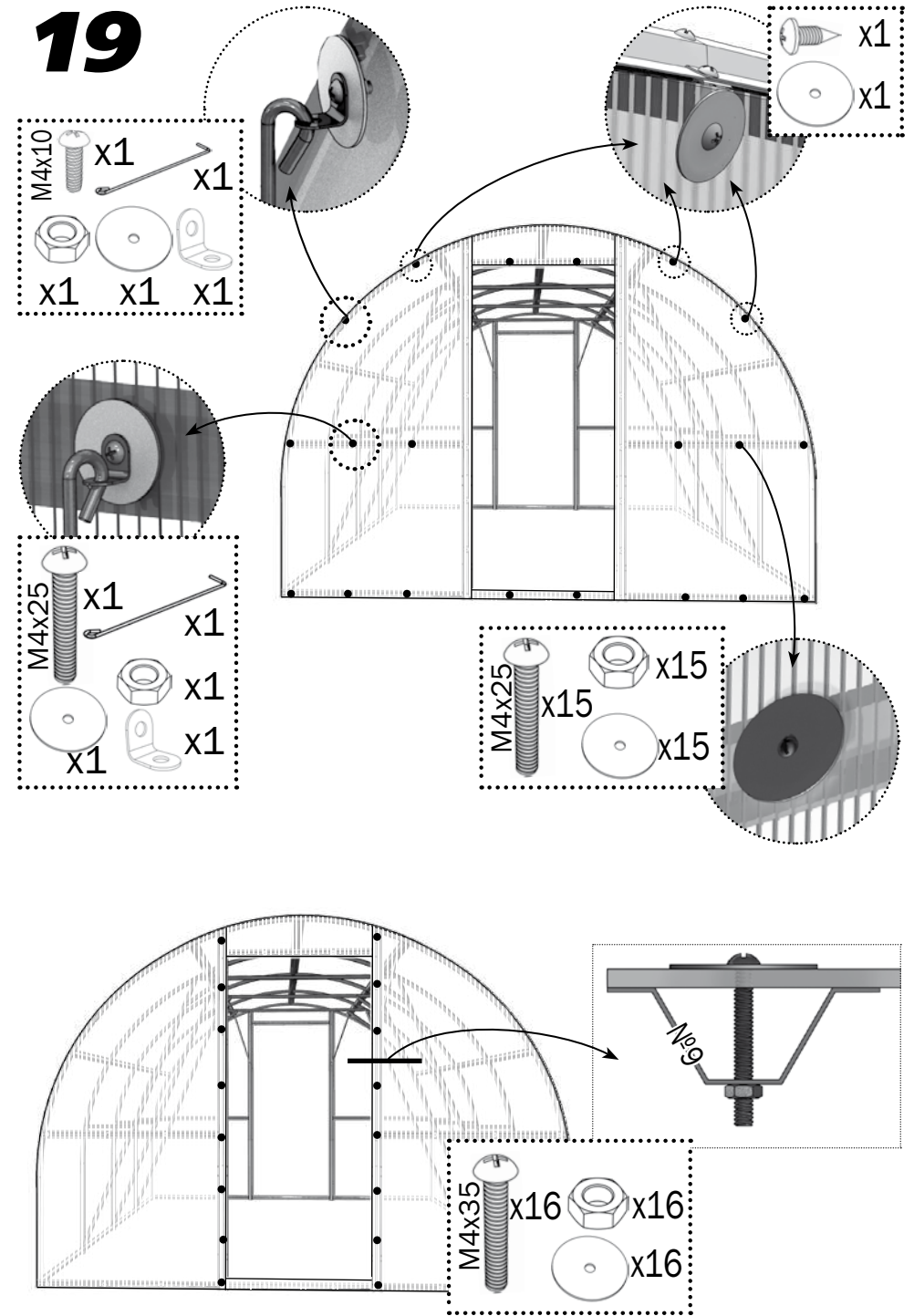
17



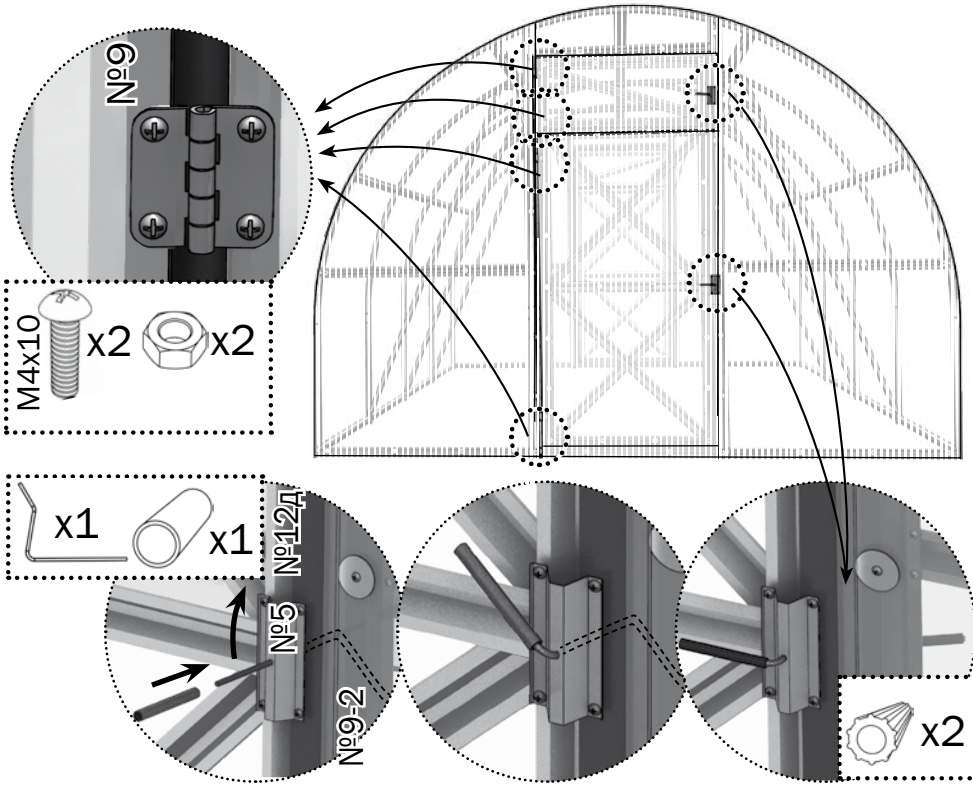
18



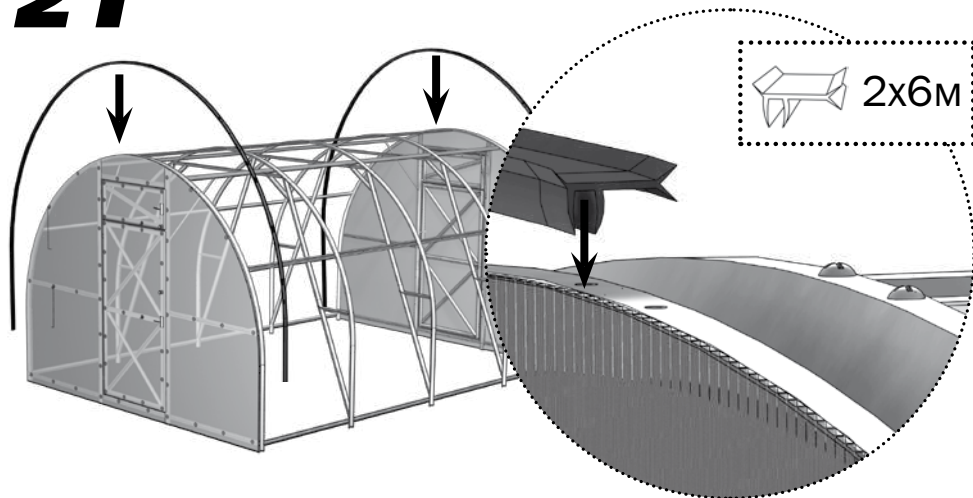
19



20

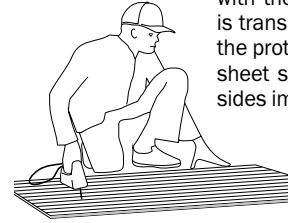


21

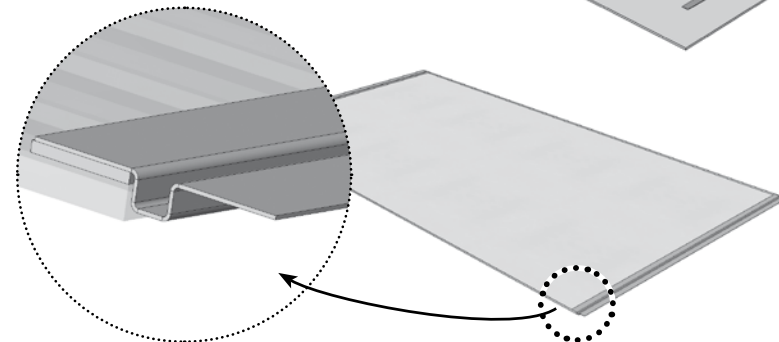
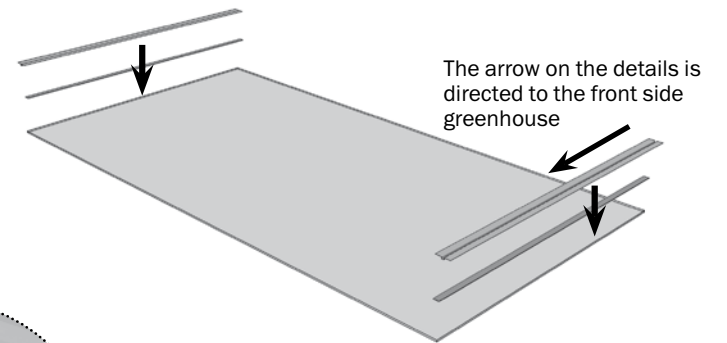
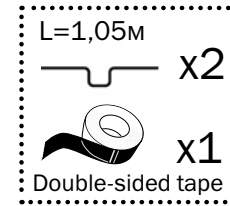
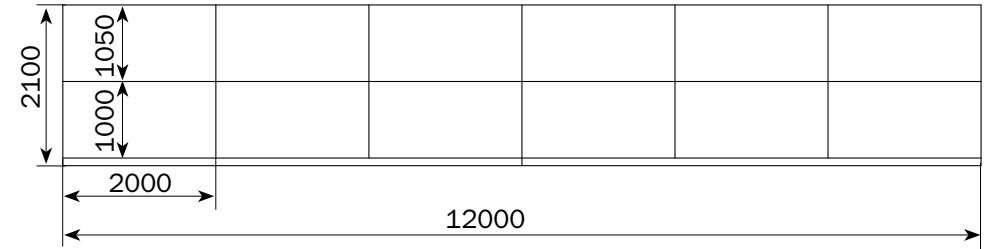
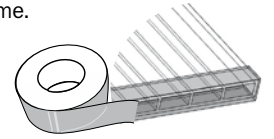


22

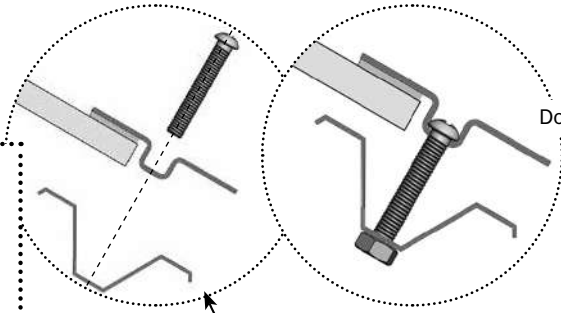
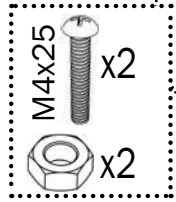
Cellular polycarbonate shall be installed strictly defined side out (towards the sun), which has a protective layer. The protective layer is usually at the side with the inscriptions on the transport film. The film on the other side of sheet is transparent. After marking the sheet, but prior to its cutting, make a mark on the protected side of the sheet for each piece: after removal of the transport film sheet sides are not visually different. The transport film is stripped from both sides immediately before fixing the cladding on the frame.



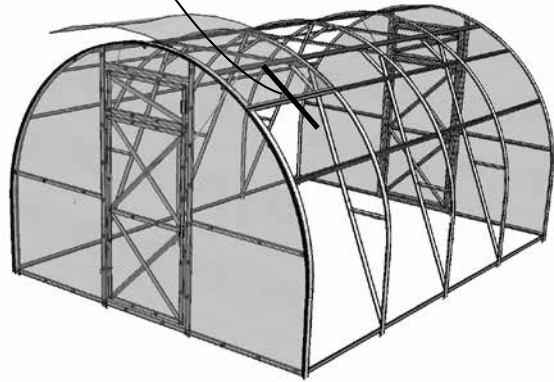
Sections of polycarbonate with open honeycombs should be covered by adhesive tape.



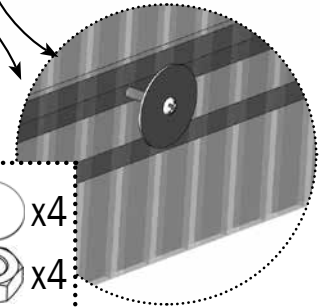
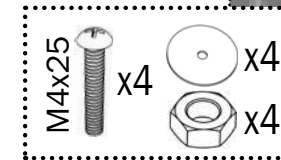
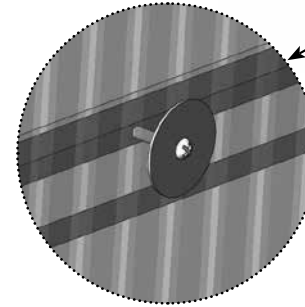
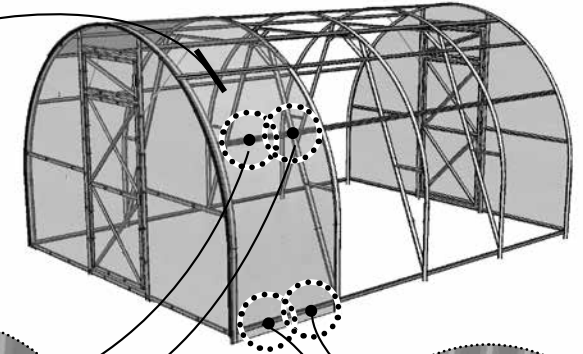
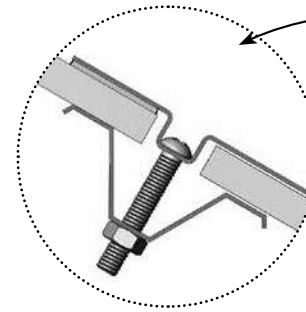
23



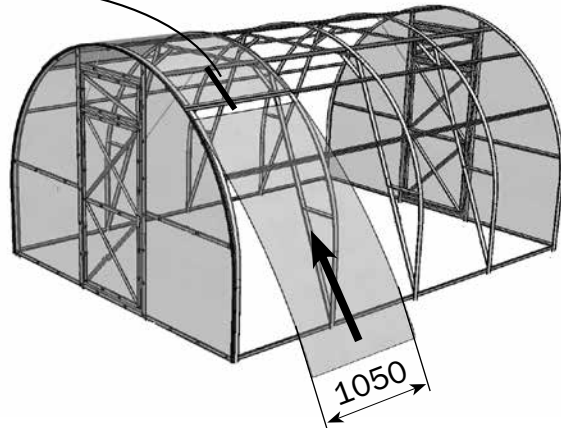
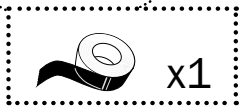
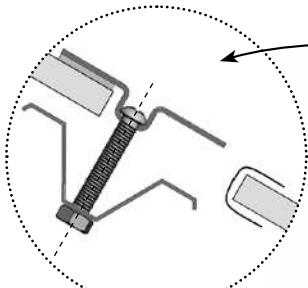
Do not fully tighten!



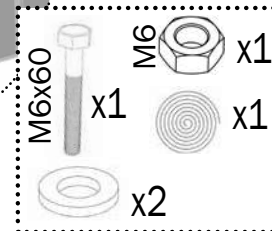
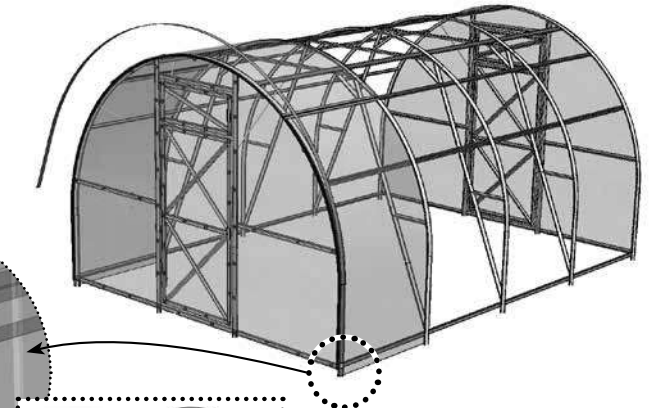
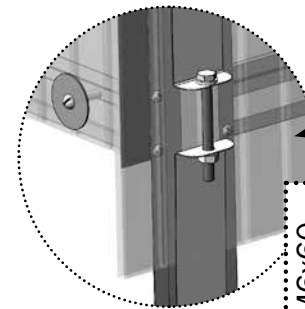
25



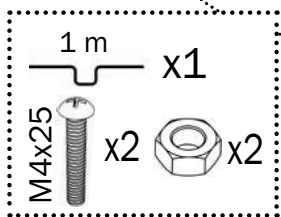
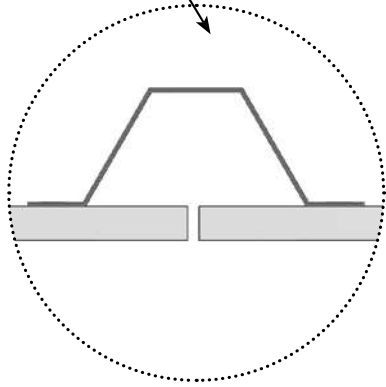
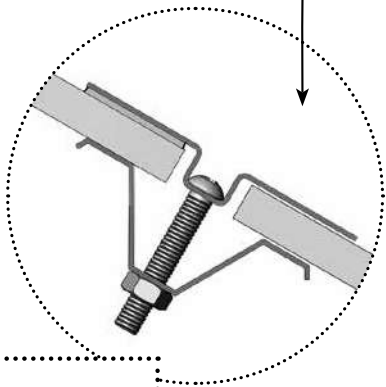
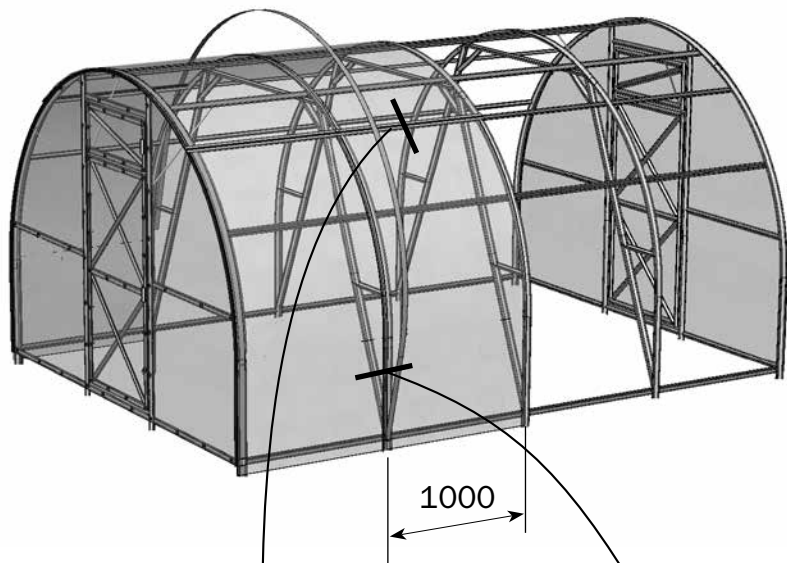
24



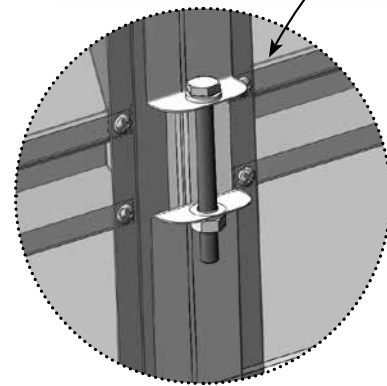
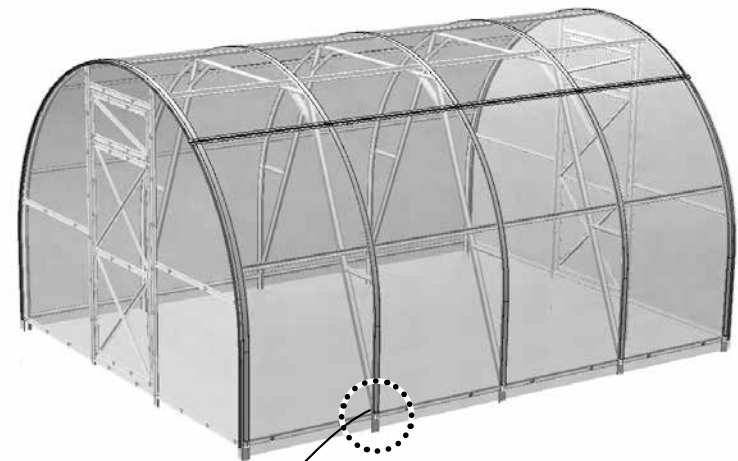
26



27



28



FOR INSTALLING ON FUNDAMENT

